

Compressor Model Number Significance 06D COMPRESSORS

06DR 3 37 0 D A 36 5 A - (RP)**

Model = 0, Package = 1 or 9, A = Shipped Without Oil

Suction Cut-Off Unloading Designation for 06DR, DM Compressors:

- 0 = All Models Except as Noted
- 5 = No Oil
- 7 = 1 Unloader, Suction Cutoff, Oil-less (DR, DM Only)
- 8 = 2 Unloaders

Electrical Characteristics (XL Start Only, Unless Noted):

High Efficiency Models	Standard Efficiency Models	
31 = 575-3-60	01 = 575-3-60	12 = 208/230-3-60
32 = 208/230-3-60	04 = 200-3-60	13 = 380-3-60
33 = 208/230-1-60	05 = 230-3-60	14 = 200-3-60 (PW)
34 = 220-3-50	06 = 400/460-3-50/60	15 = 230-3-60 (PW)
36 = 400/460-3-50/60	08 = 220-3-50	18 = 220-3-50 (PW)

Electrical Variables:

- A = With Internal Thermostat and External Overloads
- C = With Internal Thermostat and Without External Overloads

Suction Service Valve – Variables:

- Location, Orientation and Mounting Bolts

Compressor Identification Key:

- 0 = New Compressor
- 2 = New Compressor
- 3 = New Compressor
- 6 = Service Compressor, Remanufactured
- 7 = Service Compressor, New Manufactured
- 8 = New Compressor, Special
- 9 = Service Compressor, Special

Displacement (CFM at 1750 rpm)

Motor Size – (Does Not Signify Horsepower)

Compressor Type:

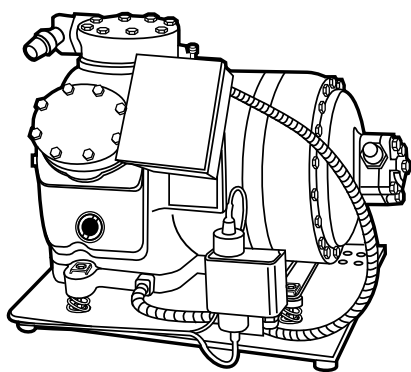
- | | | |
|---|---------------|-----------------------------|
| 06DA = Compressor – A/C Duty | No Unloading | } Hot Gas Bypass Unloading |
| 06DB = Compressor – A/C Duty | 1-Step Elec. | |
| 06DC = Compressor – A/C Duty | 2-Step Elec. | } Suction Cut-Off Unloading |
| 06DD = Compressor – A/C Duty | 1-Step Press. | |
| 06DE = Compressor – A/C Duty | 2-Step Press. | } Suction Cut-Off Unloading |
| 06DF = Compressor – A/C Duty | 1-Step Elec. | |
| 06DG = Compressor – A/C Duty | 2-Step Elec. | } Suction Cut-Off Unloading |
| 06DH = Compressor – A/C Duty | 1-Step Press. | |
| 06DJ = Compressor – A/C Duty | 2-Step Press. | |
| 06DM = Compressor Refrig. Duty Medium Temperature | | |
| 06DR = Compressor Refrig. Duty Low Temperature | | |
| 06DM = Service Compressor – Replacement for new 06DA, DM without Unloading | | |
| 06DS = Service Compressor – Replacement for new 06DF,G,H and J with suction cut-off unloading. Compressor has 1-Stage suction cut-off unloading | | |
| 06DX = Service Compressor – Replacement for new 06DB, C, D, and E with hot gas (bypass) unloading. Compressor has 1-stage of bypass unloading | | |



CARLYLE

06D Compressors technical datas

06D CARLYLE SEMI-HERMETIC COMPRESSORS
AIR CONDITIONING DUTY COMPRESSOR APPLICATION DATA



MODEL NO.	NOMINAL HP	NO. OF CYL.	CFM @ 1750 RPM	SUCTION TEMP. RANGE (°F)	R-22	
					CAPACITY (000 BTUH)	
					AIR COOLED 45° SST 130° SCT 0° SC	WATER COOLED 40° SST 105° SCT 0° SC
06DM808	3	2	8.0	-10 to 50	36.7	39.8
06D()313	5	4	13.1	-10 to 50	56.9	62.7
06D()818	6.7	6	18.3	-10 to 50	83.3	91.0
06D()724	6.7	6	23.9	-10 to 50	-	122.6
06D()824	8	6	23.9	-10 to 50	106.5	117.3
06D()328	10	6	28.0	-10 to 50	128.7	140.0
06D()337	10	6	37.1	-10 to 50	-	185.6
06D()537	15	6	37.1	-10 to 50	175.4	191.3

For other codes, please consult us

APPLICATION DATA HIGH AND MEDIUM TEMPERATURE R-134A

HP	Displacement m ³ /h	Cooling capacity Watts Evaporating temp.				Model reference
		0°C	-5°C	-7°C	-10°C	
2	12.31	5480	4320	3990	3350	06DR109
3	18.54	7620	5900	5410	4460	06DR103
5	22.5	10030	7950	7380	6620	06DR316
5	25.9	11880	9420	8740	7380	06DR718
6.5	28.3	13140	10480	9740	8220	06DR820
6.5	33.83	15440	12030	11070	9190	06DR725
7.5	39.63	18020	14440	13450	11390	06DR228
10	52.51	24370	19720	18450	15720	06DR337

APPLICATION HIGH TEMPERATURE R-407C

HP	Displacement m ³ /h	Cooling capacity Watts Evaporating temp.				Model reference
		7°C	5°C	0°C	-5°C	
5	18.54	15500	14210	12290	8800	06DM313
6.5	25.9	22460	20640	16550	12030	06DA818
7.5	33.83	29160	26720	21250	16580	06DA825
10	39.63	34590	31790	25560	20320	60DA328
15	52.51	45990	42470	34480	27560	06DA537

APPLICATION DATA LOW TEMPERATURE R-22

HP	Displacement m ³ /h	Cooling capacity Watts Evaporating temp.				Model reference
		-20°C	-25°C	-30°C	-35°C	
2	12.31	3630	2750	1970	1240	06DR109
3	18.54	5520	4260	3150	2120	06DR013
5	22.5	6740	5260	3980	2750	06DR316
5	25.9	7810	6150	4710	3380	06DR718
6.5	28.3	9150	7180	5530	4050	06DR820
6.5	33.83	10070	7750	5820	4130	06DR725
7.5	39.63	12060	9270	6940	4930	06DR228
10	52.51	16870	12970	9480	6240	06DR338
15	58.03	18340	14280	10670	7220	06DR541

APPLICATION DATA HIGH AND MEDIUM TEMPERATURE R-404 / R-507A

HP	Displacement m ³ /h	Cooling capacity Watts Evaporating temp.				Model reference
		0°C	-5°C	-7°C	-10°C	
3	11.32	8150	6560	6150	5190	06DM808
5	18.54	12850	10210	9510	7930	06DM313
5	22.5	16900	13980	13260	11410	06DR316
6.5	25.9	18750	15070	14120	11890	06DA818
6.5	28.3	22460	18600	17670	15240	06DR820
6.5	33.83	25890	21160	19990	17090	06DR725
7.5	33.83	24240	19340	18770	15140	06DA825
7.5	39.63	31140	25690	24380	20980	06DR228
10	39.63	28910	23330	21940	18610	06DA328
10	52.51	41290	34030	32280	27780	06DR337
10	52.51	39530	32240	30460	26040	06DM337
15	52.51	39290	32070	30290	25860	06DA537
15	58.03	4090	36340	34480	29680	06DR541

APPLICATION DATA LOW TEMPERATURE R-404 / R-507A

HP	Displacement m ³ /h	Cooling capacity Watts Evaporating temp.				Model reference
		-20°C	-25°C	-28°C	-35°C	
2	12.31	3900	3040	2360	1750	06DR109
3	18.54	5210	3870	2900	1920	06DR013
5	22.5	7260	5610	4300	3040	06DR316
5	25.9	8740	6890	5350	3950	06DR718
6.5	28.3	9820	7650	5890	4250	06DR820
6.5	33.83	10700	8240	6280	4360	06DR725
7.5	39.63	13490	10610	8210	5890	06DR228
10	52.51	17330	13740	10770	8320	06DR337
15	58.03	19230	15210	11890	9040	06DR241

CARLYLE

06D Compressors technical datas

REQUIRED ACCESSORIES - 06D

COMPRESSOR MODEL NO.	TERMINAL BOX KIT	SUCTION SERVICE VALVE KIT	ALTERNATE SUCTION SERVICE VALVE KIT	DISCHARGE SERVICE VALVE KIT	ALTERNATE DISCHARGE SERVICE VALVE KIT	OPTIONAL ACCESSORIES	
						SUSPENSION KIT	PLATE KIT
06DR109	06DA660075	06DA660061	-	06DA660060	06DA660059 06DA660061	06DA660058	06EA660096
013	↓	-	-	↓	↓	↓	↓
316		06DA660064	-				
718		06DA660064	-				
820		06DA660065	06EA660090				
724		06DA660065	06EA660090				
228		06DA660065	06EA660090				
337		06EA660090	-				
06DM808	06DA660075	06DA660061	-	06DA660060	06DA660059 06DA660061	06DA660058	↓
809	↓	-	-	↓	↓	↓	
()313		06DA660061	-				
()316	06DA660078	06DA660064	-	↓	↓	↓	
518	06DA660062	06DA660064					
()818	06DA660078	06DA660064	-	06DA660061	-	06DA660056	
06D()724	↓	06DA660064	-	06DA660061	-	06DA660056	
()824		06DA660063**	06DA660065**	06DA660062	06DA660064	06DA660057	
		-	06EA660090**	-	-	↓	
		06DA660064*	-	-	-		
		06DA660063**	06DA660065**	06DA660062	06DA660064		
		-	06EA660090**	-	-		
06DA660064*		-	-	-			
()328	06EA660065	06EA660090	06DA660064	-			
()337	06DA660065	06EA660090	06DA660064	-			
()537	06DA660065	06EA660090	06DA660064	-			

* = 2 Bolt ** = 4 Bolt



CARRIER

Compressors shipped without oil and under nitrogen pressure,

Ordering reference	Capacity (L)	Cylinder	Weight (Kg)	Voltage (V)	Type
06DA3282BA325A--S	3,79	6	143	280/230/3/60	NEWMAN
06DA3282BA-365A-S	4,73	6	150	400/3/50 - 460/3/60	NEWMAN
06DA5370BA3801--S	4,73	6	145	400/3/50	NEWMAN
06DA5372BA0657--S	4,73	6	145	400/3/50 - 460/3/60	NEWMAN
06DA5372BA-065A-S	4,73	6	145	400/3/50 - 460/3/60	NEWMAN
06DA8182AA-365A-S	3,31	4	123	400/3/50 - 460/3/60	NEWMAN
06DA8252BA315A	3,79	6	143	575/3/60	NEWMAN
06DA8252BA-325A-S	3,79	6	143	208/230/3/60	NEWMAN
06DA8252BA-365A-S	3,79	6	143	400/460/3/50/60	NEWMAN
06DD5370BC0601--S	4,73	6	145	400/3/50 - 460/3/60	NEWMAN
06DM3130CA-365A--S	2,36	4	150	208/3/60 - 230/3/60	NEWMAN
06DM3160CA365A--S	2,13	4	107	400/460/3/50/60	NEWMAN
06DM3370DA365A	3,79	6	147	400/460/3/50/60	NEWMAN
06DM3370DA3857--S	4,73	6	140	415/3/50	NEWMAN
06DM5377BC1200--S	4,73	6	145	208/3/60 230/3/60	NEWMAN
06DM8080GA-365A-S	1,42	2	73	400/460/3/50/60	NEWMAN
06DM8186AC065A	3,31	4	120	400/3/50 - 460/3/60	REMAN
06DM8187AC0600--S	3,31	4	150	400/3/50 - 460/3/60	NEWMAN
06DM8187AC1200--S	3,31	4	150	208/3/60 - 230/3/60	NEWMAN
06DR0130CA-365A--S	2,13	4	104	400/460/3/50/60	NEWMAN
06DR1090GA365A	1,42	2	73	400/460/3/50/60	NEWMAN
06DR2280DA365A	3,79	6	143	400/460/3/50/60	NEWMAN



CARRIER

Compressors shipped without oil and under nitrogen pressure

Ordering reference	Capacity (L)	Cylinder	Weight (Kg)	Voltage (V)	Type
06DR3160CA-365A-S	2,13	4	107	400/460/3/50/60	NEWMAN
06DR3160CA367A--S	2,13	4	107	400/460/3/50/60	NEWMAN
06DR3370DA-325A-S	3,79	6	147	208/230/3/60	NEWMAN
06DR3370DA-365A-S	4,73	6	140	400/3/50 - 460/3/60	NEWMAN
06DR3370DC325A	3,79	6	147	208/230/3/60	NEWMAN
06DR5410DA-065A-S	3,79	6	147	400/460/3/50/60	NEWMAN
06DR7180DA325A	2,6	4	113	208/230/3/60	NEWMAN
06DR7180DA-365A--S	2,6	4	113	400/460-3-50/60	NEWMAN
06DR7250DA-315A--S	3,79	6	141	575/3/60	NEWMAN
06DR7250DA-365A	3,79	6	141	400/460-3-50/60	NEWMAN
06DR8200DA-365A-S	2,6	4	118	400/460-3-50/60	NEWMAN
06DS5376BC1200--S	4,73	6	150	208/3/60 - 230/3/60	REMAN
06DS5376BC365ARP	4,7	6	150	400/3/50	REMAN
06DS8246BC365ARP	4,73	6	210	400/3/50 - 460/3/60	REMAN
06DX3286BC065A	4,73	6	150	400/3/50 - 460/3/60	REMAN
06DX3287BC0600--S	4,73	6	150	400/3/50 - 460/3/60	NEWMAN
06DX3376BC0600--S	4,73	6	140	400/3/50 - 460/3/60	REMAN
06DX5376BC065A	4,73	6	150	400/3/50 - 460/3/60	REMAN
06DX5376BC1200--S	4,73	6	150	208/3/60 - 230/3/60	REMAN
06DX5376BD1500--S	4,73	6	150	230/3/60	REMAN
06DX7246AC065A	4,73	6	136	400/3/50 - 460/3/60	REMAN
06DX8186AC0600--S	3,31	4	120	400/3/50 - 460/3/60	REMAN
06DX8246AC065A	4,73	6	140	400/3/50 - 460/3/60	REMAN
06DX8246BC065A	4,73	6	140	400/3/50 - 460/3/60	REMAN



CARRIER

06D Compressors spare parts

Ordering Reference	Description	Application
06DA-404---674R6S	VALVE PLATE ASSY	
06DA-408---824-OEM	SOLENOID VALVE	
06DA-660---056--S	MOUNTING KIT	
06DA-660---057--C	MOUNTING KIT	
06DA-660---058--S	MOUNTING KIT	
06DA-660---061--S	SUCTION & DISCHARGE VALVE KIT	06D-808-/06D-109-/
06DA-660---062--S	SUCTION & DISCHARGE VALVE KIT	06D-316-
06DA-660---064--C	SUCTION & DISCHARGE VALVE KIT	06D-313-/06D-316-/06D-718-/06D-820-/06D-818-
06DA-660---065--C	SUCTION VALVE KIT	06D-724-/06D-328-/06D-337-/06D-537-/06D-824-
06DA-660---066--S	PISTON 020 + PIN PACKAGE	
06DA-660---075--S	TERMINAL BOX PACKAGE	
06DA-660---078--S	TERMINAL BOX PACKAGE	
06DA-660---089--C	CYLINDER HEAD (ELECTRIC UNLOADER)	
06DA-660---090--C	CYLINDER HEAD (PRESSURE UNLOADER)	
06DA-660---102--S	STATOR LOCKING KIT	
06DA-660---105--S	BAFFLE PACKAGE	
06DA-660---111--S	REWORK KIT	
06DA-660---120--S	VALVE PLATE PACKAGE	
06DA-660---122--S	PISTON + PIN PACKAGE	
06DA-660---125--S	PISTON PACKAGE	
06DA-660---126--S	OIL PUMP	
06DA-660---145--S	PISTON AND PIN ASSEMBLY	
06DA-660---151--S	VALE PLATE PACKAGE	
06DA-660---152--S	VALVE PLATE PACKAGE	
06DA-900---072--S	INTER CONNECTING PACKAGE	
06DR-660---027--S	PISTON PACKAGE	
06DR-660---031--S	CONNECTING ROD PACKAGE	
06DR-660---034--S	PISTON 020 + PIN PACKAGE	
06DR-660---053--S	PISTON + PIN PACKAGE	
06EA-660---090--S	SUCTION VALVE KIT	06D-337-/06D-230-/06D-718-/06D-724-/06D-820-/06D-328-/06D-337-/06D-537-
06EA-660---135--S	ELECTRIC UNLOADER KIT	
38AQ-680---001--S	CONTACT GREASE	
-6-D--43---172--S	GASKET SET	
--CC--12MA-017--EE	FEMALE CONNECTOR / CONNECTEUR FEMELLE	
--WM--12FA-018--EE	CRANCKASE HEATER 230V	
--XL--12AA-001--EE	OIL CHANGE VALVE 1/4 NPT - 1/4 FLARE	
--XM--12YC-024--EE	24 VOLTS COIL / 10W	
--XM--12ZA-115--EE	115 VOLTS COIL / 10W	
--XM--12ZA-230--EE	230 VOLTS COIL /	

For other codes, please consult us